

CREAMER
METAL PRODUCTS

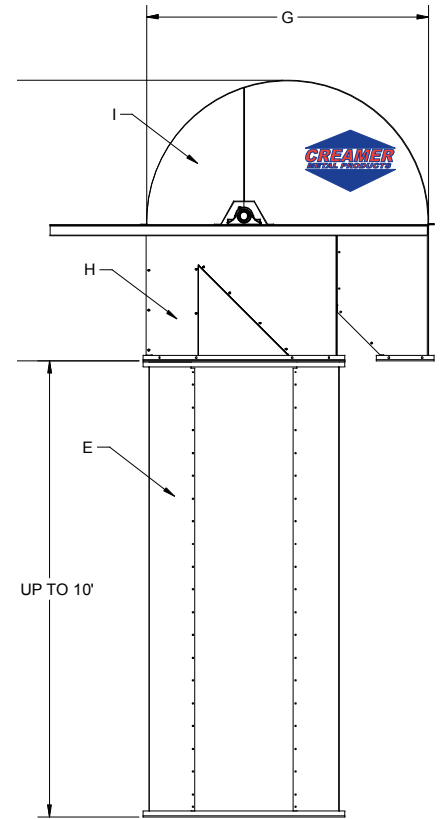
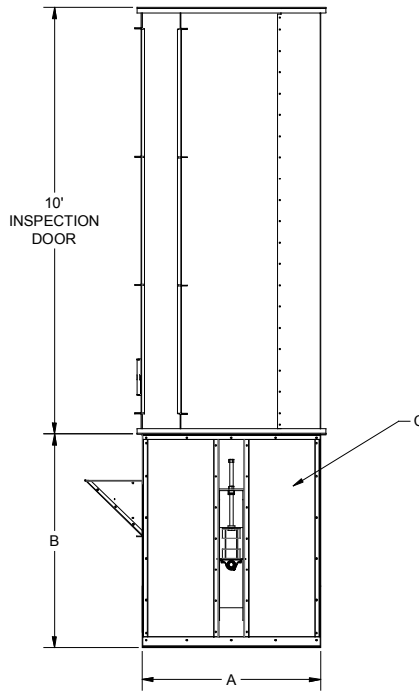
*Your Start to Finish Provider of
Material Handling Solutions since 1946*



COMMERCIAL & FARM DUTY BUCKET ELEVATORS



Creamer Metal Products is now stocking the following items to help you finish your projects!



MODEL

	CAPACITY*		PULLEY		SPEED	BUCKET	BOOT			TRUNKING		HEAD			
	MIN	MAX	DIA	RPM	FPM	SIZE	A	B	C	D	E	F	G	H	I
HD500	350	900	8	125	262	6x4	24	60	10ga	9x10	14ga	33	39	12ga	14ga
GXA	900	1700	14	100	385	6x5	30	60	10ga	9X10	14ga	41	48	10ga	14ga
GXB	2100	3700	16	100	440	9x6	34	60	10ga	10x12	14ga	48	55	10ga	14ga
HD4500	3000	5500	24	78	494	12x6	44	60	10ga	11x16	14ga	55	65	10ga	14ga
HD5100	3800	6900	30	72	564	12x6	50	60	10ga	11x16	14ga	63	75	10ga	14ga
HD6500	4700	7700	36	67	627	12x6	56	60	10ga	11x16	14ga	73	85	10ga	14ga
HD7000	6500	10800	36	66	619	14x7	60	60	10ga	13x18	14ga	73	85	10ga	14ga
HD10000	8700	12300	36	66	619	16x7	60	60	10ga	13x20	12ga	73	85	10ga	12ga
HD13000	10000	13000	48	58	730	16x7	72	60	7ga	13x20	12ga	80	100	7ga	10ga
HD14000	12000	15500	48	57	723	16x8	72	72	7ga	14x22	12ga	108	102	7ga	10ga
HD17500	15000	20000	48	57	723	20x8	72	72	7ga	14x26	12ga	108	102	7ga	10ga

* BUSHELS PER HOUR. CUP SPACING DETERMINES CAPACITY.

Tall Contoured Head

Directs grain toward discharge
Reduces back-legging & wear
Bolts (no welds) securely
Vent optional

Split Head Cover

Heavy-Duty Spherical Roller Bearings

Large Diameter Head Shaft

Leveling Bolt

Under bearing

Bolted Construction

Eliminates welding

Heavy Gauge Angle Frame

Hot-dipped galvanized

PVC Belting

Engineered to exact strength
(PIW) requirements
Static conducting, oil & fire
resistant (SCOF)
Rubber belting optional

Formed Steel, High-Density

Polyethylene or Plastic Buckets

Accurate capacity ratings

Sectional Service Panels

Allow easy authorized access
for belt & bucket maintenance

Heavy Gauge Trunking

Boot Clean-Out Doors

Provide easy access &
clean out
100% bottom
clean out optional

Head Cover Liners

UHMW-std.
Urethane-opt.

Crown-Faced Head Pulley

Slide Lagging

Adjustable Belt Slide

Integral Gusset

Galvanized one piece

Lifting Eyes Std.

Safety Labels

Applied appropriately
throughout the elevator

Screw Take-Ups

For easy adjustment of belt

Crown-Faced Drum Boot Pulley

Slotted wing-style self-
cleaning pulley optional

Boot Hopper

Properly directs flow for
maximum bucket fill with screw
and slide
Dump hopper optional

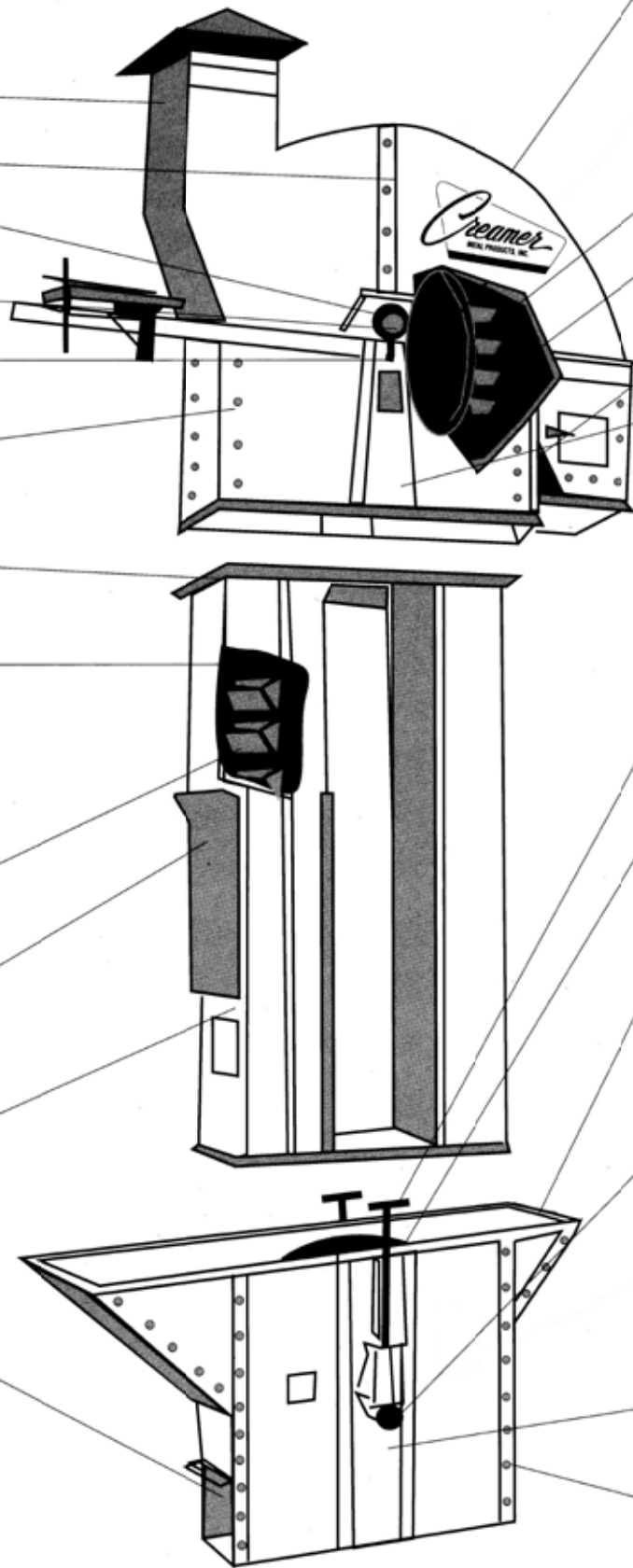
Heavy-Duty Pillow Block

No bearing seals are exposed
to boot interior

UHMW Bearing Seal Plate

(Head and Boot)

Reinforced Boot Sides



ADDITIONAL CREAMER METAL PRODUCTS



Galvanized trouble-free bucket elevators

*Capacities up to
30,000 bushels per hour.*



Horizontal and Incline Drag Conveyors

*Capacities up to
20,000 bushels per hour.*



All the items needed to finish your job.

Most items in stock.

CREAMER
METAL PRODUCTS

77 South Madison Road
London, Ohio 43140-0027

Phone: 740.852.1752 • Fax: 740.852.1797
Email: sales@creamermetal.com

www.creamermetal.com