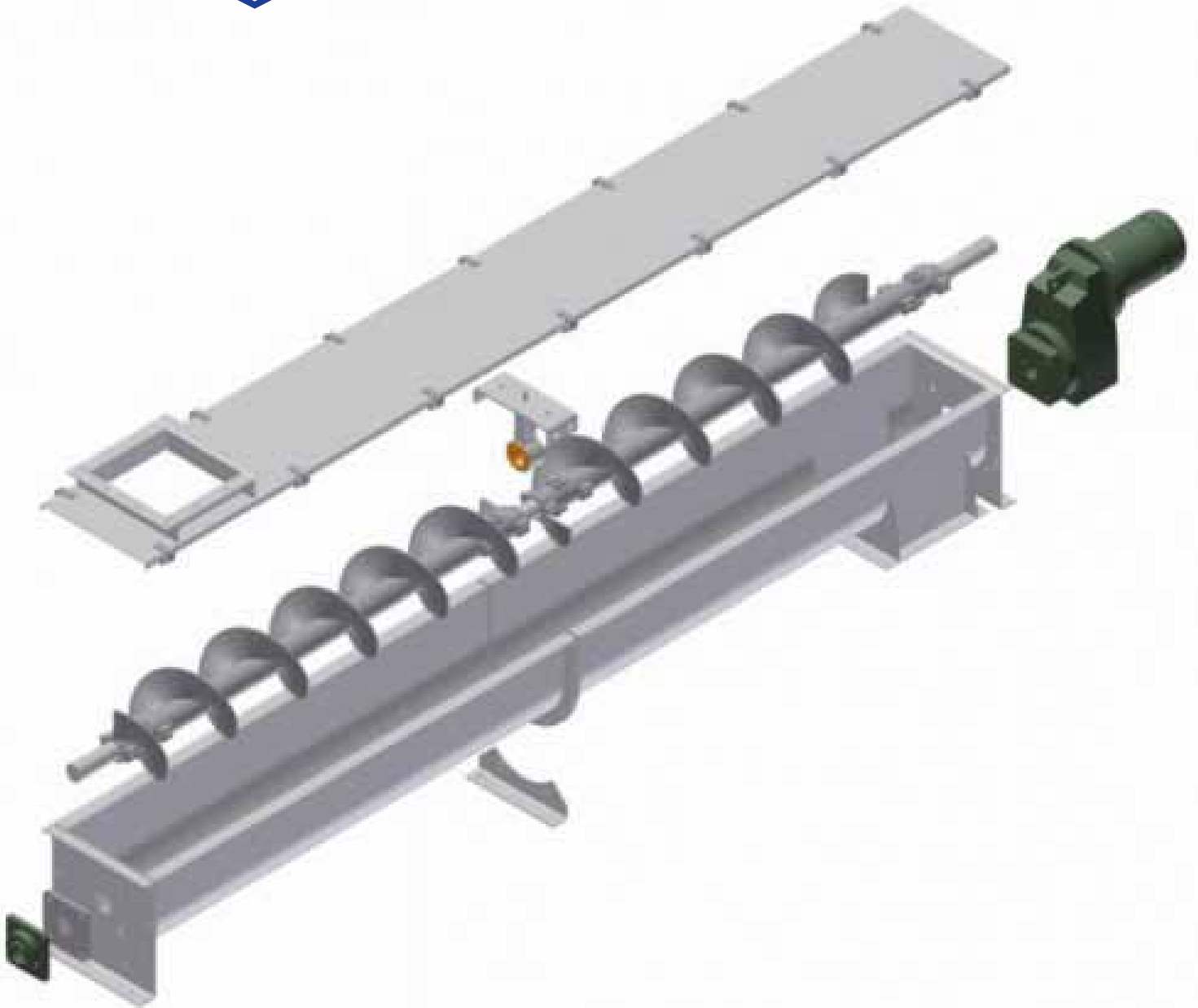


CREAMER
METAL PRODUCTS

*Your Start to Finish Provider of
Material Handling Solutions since 1946*



SCREW CONVEYORS

CREAMER
METAL PRODUCTS

*Your Start-to-Finish Provider
of Material Handling Solutions
since 1946*

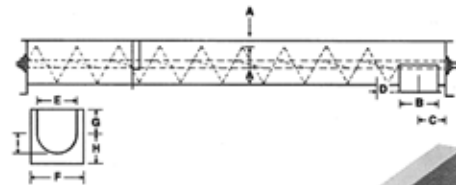
HORIZONTAL U-TROUGH SCREW CONVEYORS

Standard Horizontal U-trough Screw Conveyors

are available in eight diameter sizes. Conveyors are of heavy gauge angle types, helicoid augers, nylon hanger bearings (ball bearings optional) and ball bearing end bearings. One standard discharge is furnished as standard equipment. Discharges in addition to the standard end discharge can be installed. These are available with hand slide, rack and pinion control or curved rack and pinion. We have hand wheels or chain pocket wheels to operate the rack and pinion controls. Available with fixed speed or 3 to 1 variable speed drives.

DIMENSIONS

SIZE	A	B	C	D	E	F	G	H	I
6"	6	7" sq.	5-1/2	1-1/2	7	9-3/4	4-1/2	5-5/8	3-1/2
9"	9	10" sq.	7	2	10	13-1/2	6-1/8	7-7/8	5
10"	10	11" sq.	7-1/2	2	11	14-1/2	6-3/8	8-7/8	5-1/2
12"	12	13" sq.	8-1/2	2-1/4	13	17-1/4	7-3/4	9-7/8	6-1/2
14"	14	15" sq.	9-1/2	2-1/2	15	19-1/4	9-1/4	10-5/8	7-1/2
16"	16	17" sq.	10-1/2	2-1/2	17	21-1/4	10-5/8	12	8-1/2
18"	18	19" sq.	12-1/2	2-3/4	19	24-1/4	12-1/8	13-3/8	9-1/2
20"	20	21" sq.	13-1/2	2-3/4	21	26-1/4	13-1/2	15	10-1/2



NOTE:
Drive cover included (not shown). Also, companion sheave is used on drive in place of flat face pulley.

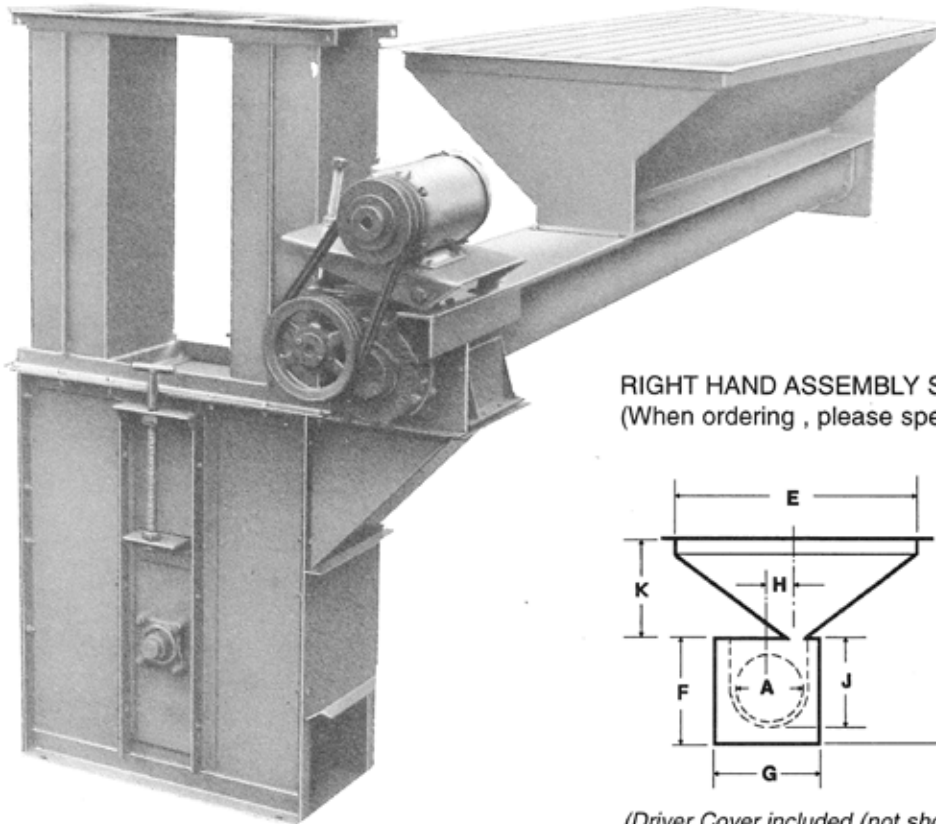
Contact Sales for additional sizes.

FARM TYPE 6", 9", 10" PIT SCREWS

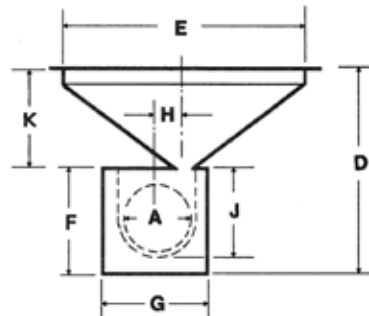
The 6", 9", and 10" pit screws are designed for shallow pit installations. Capacities from 1,200 bu. per hr. to 3,940 bu. per hr. at 200 R.P.M.

A	B	C	D	E	F	G	H	I	J	K
6"	96"	120"	26"	32"	10"	10-1/8"	2-3/4"	7" sq.	8"	15-3/4"
9"	96"	120"	26-3/4"	32"	14"	14-5/16"	3-3/4"	10" sq.	11-1/8"	12-3/4"
10"	96"	120"	28"	32"	15-1/4"	14-15/16"	48"	11" sq.	11-1/8"	12-3/4"

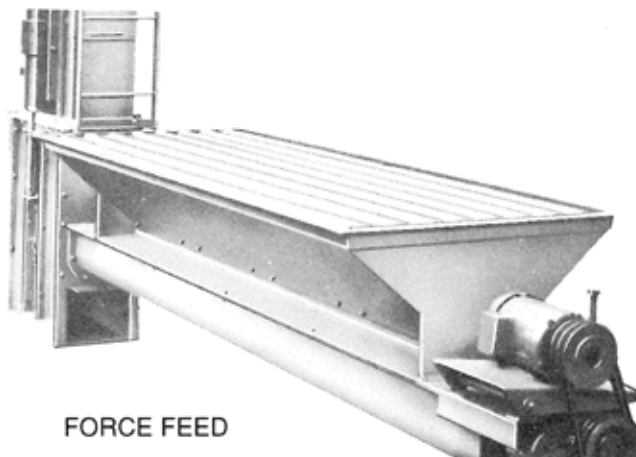
NOTE: For Force Fed Screws, Omit 1" Dimensions



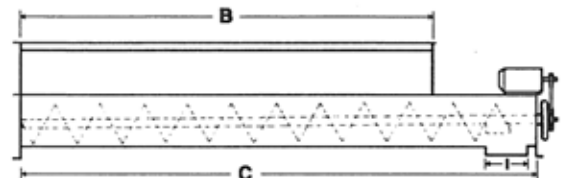
RIGHT HAND ASSEMBLY SHOWN
(When ordering, please specify RH or LH assembly.)



(Driver Cover included (not shown).)



FORCE FEED



(Driver Cover included (not shown).)

Contact Sales for additional sizes.

ADDITIONAL CREAMER METAL PRODUCTS



Galvanized trouble-free bucket elevators

*Capacities up to
30,000 bushels per hour.*



Horizontal and Incline Drag Conveyors

*Capacities up to
20,000 bushels per hour.*



All the items needed to finish your job.

Most items in stock.

CREAMER
METAL PRODUCTS

77 South Madison Road
London, Ohio 43140-0027

Phone: 740.852.1752 • Fax: 740.852.1797
Email: sales@creamermetal.com

www.creamermetal.com